



- SUPPORTS LARGE BAG SIZE/TYPE VARIETY
- INDUSTRY-LEADING CHANGE-OVER TIME
- INTELLIGENT 3D ALARM SYSTEM
- ALL OFF-THE-SHELF COMPONENTS
- HEAVY-DUTY 304 STAINLESS STEEL CONSTRUCTION
- SIMPLE PLUG AND PLAY INTERFACE TO FILLING EQUIPMENT
- CUSTOM CONFIGURATIONS AVAILABLE
- ALLEN-BRADLEY PLC WITH ETHERNET

 WWW.DURA-PACK.COM  SALES@DURA-PACK.COM  313.299.9600

7641 HOLLAND ROAD | TAYLOR, MICHIGAN 48180

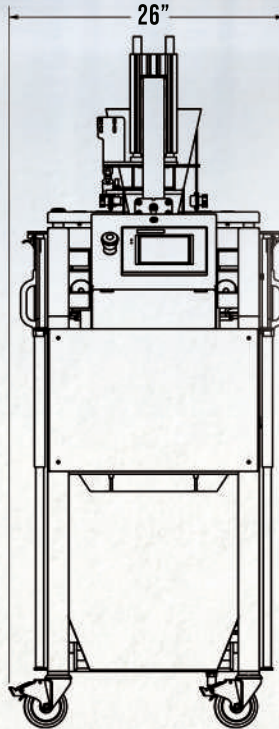


M7

AUTOMATED PRE-MADE POUCH BAGGING MACHINE

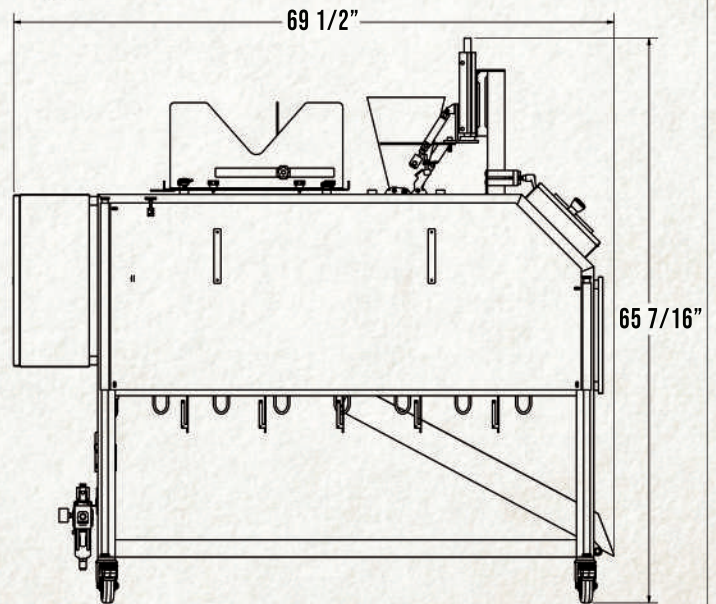
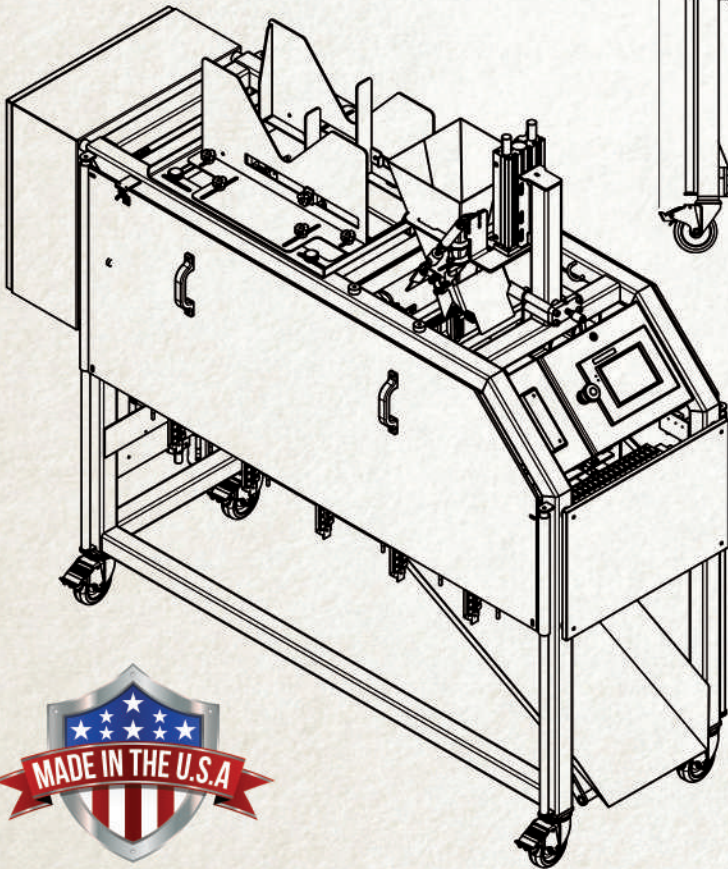
SPECIFICATIONS

- SPEED: UP TO 15 BAGS/MIN
- BAG SIZE: 4"Wx6"L - 12"Wx18"L
- BAG WEIGHT: UP TO 5kg
- AIR: 80PSI @ 20CFM
- POWER: 120/240 VAC, 1PH, 60HZ, 20A



OPTIONS

- GAS FLUSH
- SIDE GUSSET HANDLING
- INK JET
- THERMAL EMBOSSER
- WASHDOWN
- TAKE-AWAY CONVEYOR
- HIGH DUST/POWDER TOOLING
- FILLING EQUIPMENT



 WWW.DURA-PACK.COM
 SALES@DURA-PACK.COM
 313.299.9600

7641 HOLLAND ROAD | TAYLOR, MICHIGAN 48180

